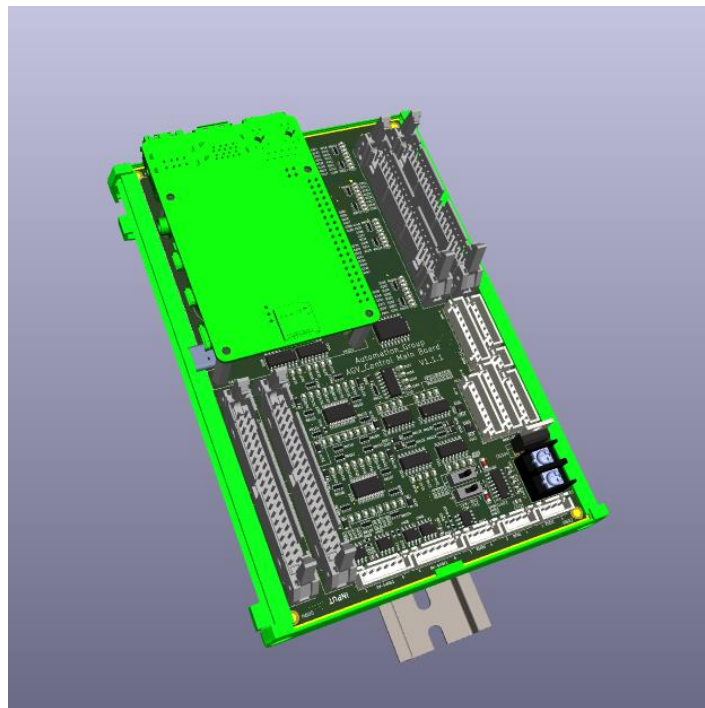




# AMR/AGV MODULE CONTROL BOARD v2023

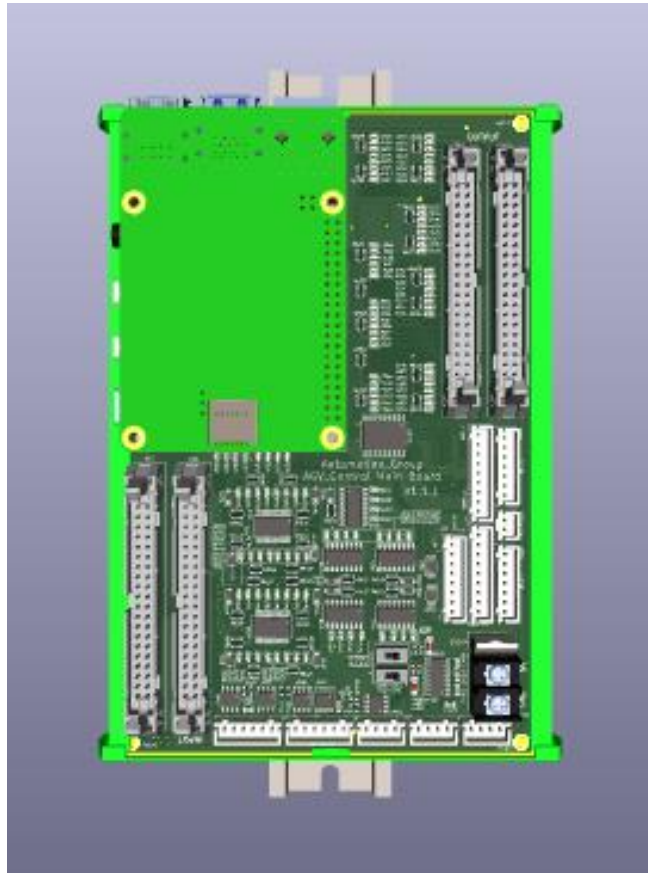
Catalogue



Myten Tech Co., Ltd

March 2023

## Working principle & Application scope

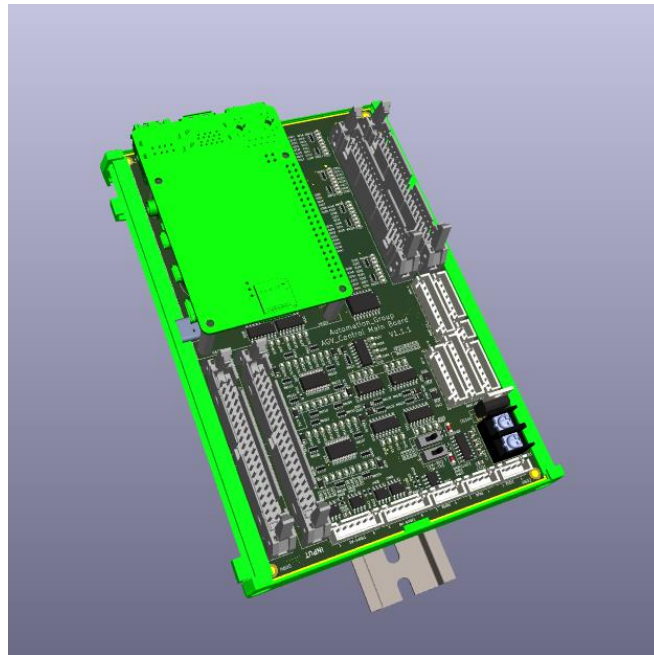


Every AGV is equipped with a vehicle controller MT-CVC600-PI that can be divided into an application part and a background part. The application part consists of a Programmable Logic Controller that executes programs that are mainly programmed with software tools. The background part helps with keeping track of the vehicle's position and guidance, handles orders, and provides both network and communication. Several hardware units can be connected through the vehicle controller and used with the vehicle. Some of the components that are used for the AGV are drivers, encoders, sensors used for both navigation and safety, a Manual Control Device, and an Operator Terminal. The Manual Control device and the Operator Terminal that are the focus for this project will be presented further as well as the sensors that make up an important part of the functionality of the AGV.

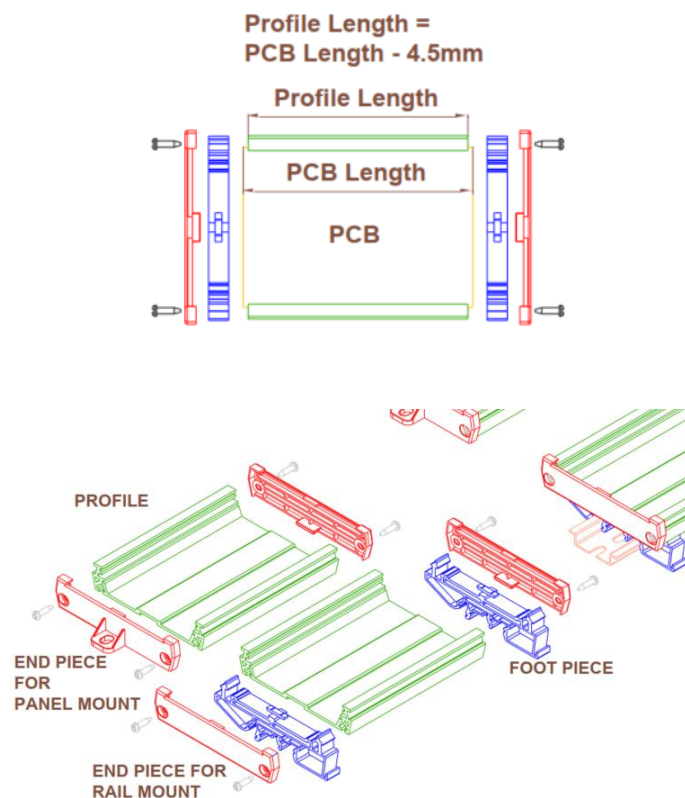
## Application scope

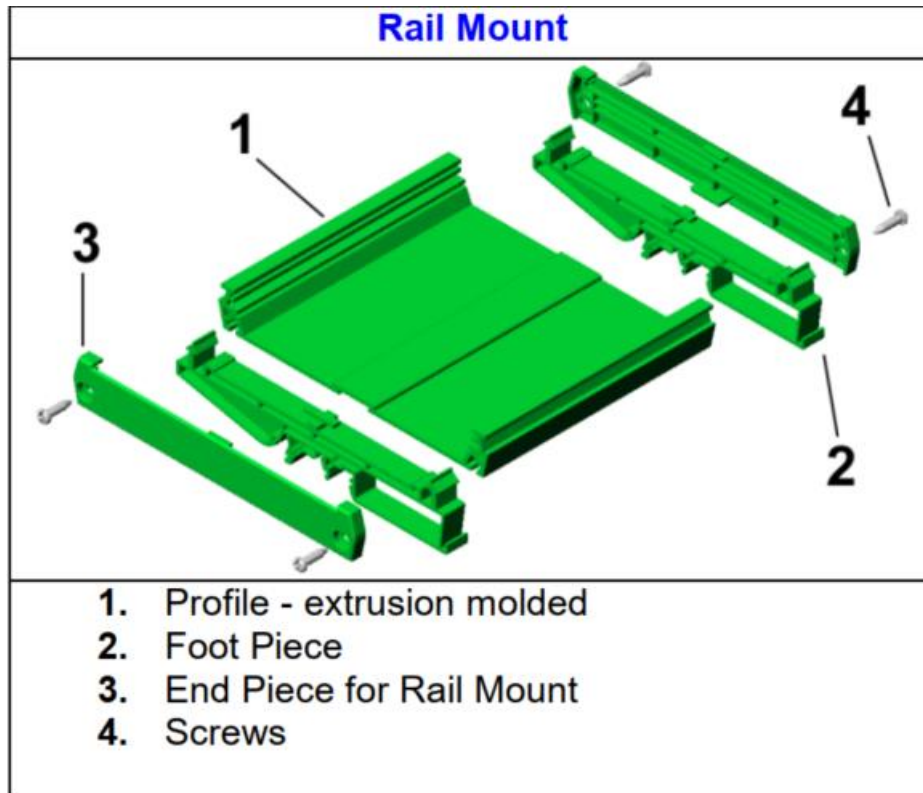
Automated guided vehicle, automotive middle doors, trunk door, luggage compartment doors, sunroofs, welding robots, parking machines, rubber machinery, assembly machinery, material handling equipment, packaging machines, stamping machinery, press machinery, automotive manufacturing safety areas, sliding doors with shear risk, moving bulkheads, automatic sliding doors, electric doors, etc.

## Installation instructions



To start driving the AGV manually, the first thing to do is to use the Mode Selector. It has three positions; AUT for automatic mode, MAN for manual mode and SEA for semi-automatic mode where speed is controlled manually but guidance is automatic. Switch 4 will indicate the direction (forward or backward motion) and by using switch 3 the AGV will drive either slowly in that direction by holding the switch to the right or faster by holding it to the left as indicated with a smaller and a bigger arrow. When releasing this switch, it will resume neutral position and motion will halt.

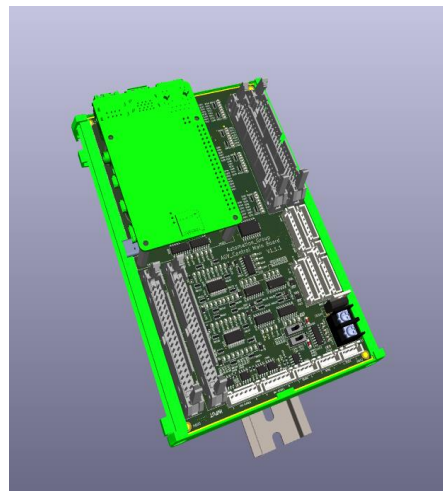
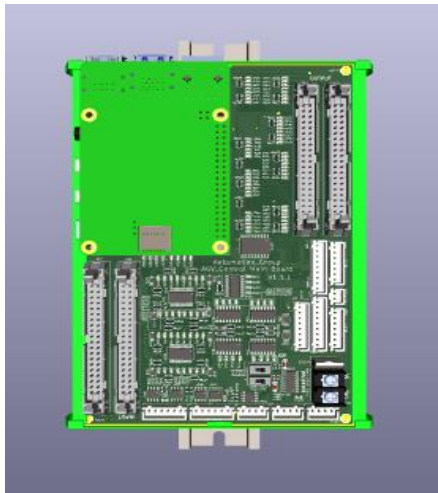




There is mainly one Operator Terminal available to be used with the AGV. Its function is to display information and setup, and provide diagnostics for the operators. The Operator Terminal is mounted on the vehicle by cutting a hole in the chassis, mounting the Operator Terminal and attaching a mating connector between it and the vehicle controller via the interface. The display is graphic and can be set in normal mode where the display shows status information and menu mode for setup functions and diagnostics

## AMR-AGV IO Board Type 01:

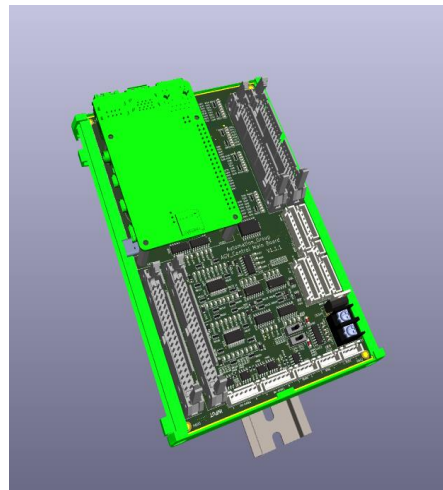
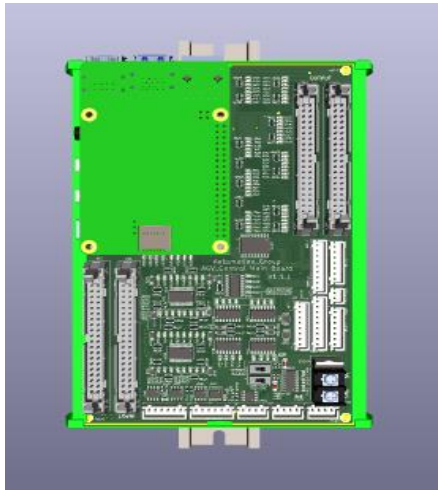
No.	Part. No.	Company name	Software version	Specs
1	MT-CVC600-PI/B2/V/73A	Myten Tech Co., Ltd	v2023.01.PS.01	Type of product: Handheld terminal Functionality: IO controller Size [mm]: 37.3 x 108 mm Wireless: No RS232/RS485: No Open controller for: Raspberry Pi Touch interface: No Weight: aprox 300 gram Operating temperature: -20 - 60° C Ingress protection: N/A LED Indicator: Power, Tx, Rx, D.O, D.I Watch dog function: Yes Power supply: 9 - 24 VDC Power consumption: 2W - 4W
2	MT-CVC600-PI/B4+3/PB	Myten Tech Co., Ltd	v2023.01.PS.02-11	
3	MT-CVC600-PI/B4+3/PB	Myten Tech Co., Ltd	v2023.01.PS.02-103	
4	MT-CVC600-PI/B4+3/TB	Myten Tech Co., Ltd	v2023.01.PS.03-001	
5	MT-CVC600-PI/B4+3/P1/XS	Myten Tech Co., Ltd	v2023.01.PS.03-001a	
6	MT-CVC600-PI/40YDW50/PB	Myten Tech Co., Ltd	v2023.01.PS.04-002-8c	



No.	Part. No.	Company name	Software version	Specs
7	MT-CVC600-PI/P6+2V/73A	Myten Tech Co., Ltd	v2023.02.PS.0102	Type of product: Handheld terminal Functionality: IO controller Size [mm]: 37.3 x 108 mm Wireless: No RS232/RS485: No Open controller for: Raspberry Pi Touch interface: No Weight: aprox 300 gram Operating temperature: -20 - 60° C Ingress protection: N/A LED Indicator: Power, Tx, Rx, D.O, D.I Watch dog function: Yes Power supply: 9 - 24 VDC Power consumption: 2W - 4W
8	MT-CVC600-PI/K/P5+1	Myten Tech Co., Ltd	v2023.02.PS.02-1001	
9	MT-CVC600-PI/KW25	Myten Tech Co., Ltd	v2023.02.PS.02-103	
10	MT-CVC600-PI/KW25	Myten Tech Co., Ltd	v2023.02.PS.04-001a	
11	MT-CVC600-PI/KW25	Myten Tech Co., Ltd	v2023.02.PS.04-003a	
12	MT-CVC600-PI/40YDKW125	Myten Tech Co., Ltd	v2023.02.PS.04-003-1b	

## AMR-AGV IO Board Type 02:

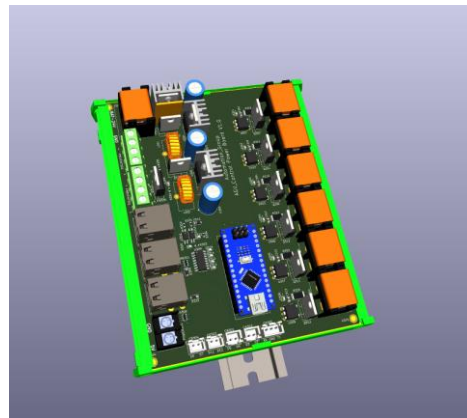
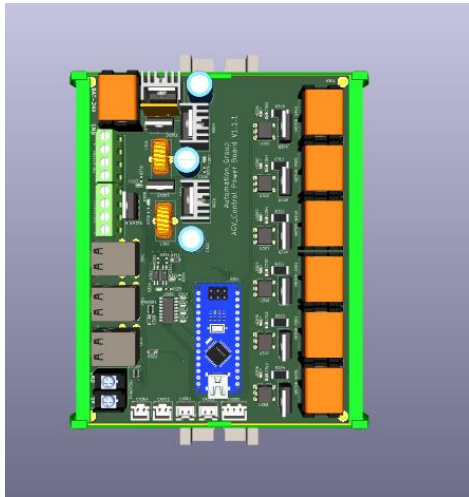
No.	Part. No.	Company name	Software version	Specs
1	MT-CVC600-PI/B2/V/73A-PI4	Myten Tech Co., Ltd	v2023.01.PS.01	Type of product: Handheld terminal Functionnality: IO controller included PI4 Size [mm]: 37.3 x 108 mm Wireless: No RS232/RS485: No Open controller for: Raspberry Pi Touch interface: No Weight: aprox 300 gram Operating temperature: -20 - 60° C Ingress protection: N/A LED Indicator: Power, Tx, Rx, D.O, D.I Watch dog function: Yes Power supply: 9 - 24 VDC Power consumption: 2W - 4W
2	MT-CVC600-PI/B4+3/PB-PI4	Myten Tech Co., Ltd	v2023.01.PS.02-11	
3	MT-CVC600-PI/B4+3/PB-PI4	Myten Tech Co., Ltd	v2023.01.PS.02-103	
4	MT-CVC600-PI/B4+3/TB-PI4	Myten Tech Co., Ltd	v2023.01.PS.03-001	
5	MT-CVC600-PI/B4+3/P1/XS-PI4	Myten Tech Co., Ltd	v2023.01.PS.03-001a	
6	MT-CVC600-PI/40YDW50/PB-PI4	Myten Tech Co., Ltd	v2023.01.PS.04-002-8c	



No.	Part. No.	Company name	Software version	Specs
7	MT-CVC600-PI/P6+2V/73A-PI4	Myten Tech Co., Ltd	v2023.02.PS.0102	Type of product: Handheld terminal Functionnality: IO controller included PI4 Size [mm]: 37.3 x 108 mm Wireless: No RS232/RS485: No Open controller for: Raspberry Pi Touch interface: No Weight: aprox 300 gram Operating temperature: -20 - 60° C Ingress protection: N/A LED Indicator: Power, Tx, Rx, D.O, D.I Watch dog function: Yes Power supply: 9 - 24 VDC Power consumption: 2W - 4W
8	MT-CVC600-PI/K/P5+1-PI4	Myten Tech Co., Ltd	v2023.02.PS.02-1001	
9	MT-CVC600-PI/KW25-PI4	Myten Tech Co., Ltd	v2023.02.PS.02-103	
10	MT-CVC600-PI/KW25-PI4	Myten Tech Co., Ltd	v2023.02.PS.04-001a	
11	MT-CVC600-PI/KW25-PI4	Myten Tech Co., Ltd	v2023.02.PS.04-003a	
12	MT-CVC600-PI/40YDKW125-PI4	Myten Tech Co., Ltd	v2023.02.PS.04-003-1b	

## AMR-AGV Power Board:

No.	Part. No.	Company name	Software version	Specs
1	MT-PWB001-ADN-v001.0210	Myten Tech Co., Ltd	v2023.01.PS.01	Type of product: Handheld terminal Function nality: Power Board Size [mm]: 37.3 x 108 mm Wireless: No RS232/RS485: No Open controller for: Arduino Touch interface: No Weight: aprox 300 gram Operating temperature: -20 - 60° C Ingress protection: N/A LED Indicator: Power, Tx, Rx, D.O, D.I Watch dog function: Yes Power supply: 9 - 24 VDC Power consumption: 2W - 4W
2	MT-PWB001-ADN-v001.0213	Myten Tech Co., Ltd	v2023.01.PS.02-11	
3	MT-PWB001-ADN-v001.0321	Myten Tech Co., Ltd	v2023.01.PS.02-103	
4	MT-PWB001-ADN-v001.0410	Myten Tech Co., Ltd	v2023.01.PS.03-001	
5	MT-PWB001-ADN-v001.0560	Myten Tech Co., Ltd	v2023.01.PS.03-001a	
6	MT-PWB001-ADN-v001.0663	Myten Tech Co., Ltd	v2023.01.PS.04-002-8c	



No.	Part. No.	Company name	Software version	Specs
7	MT-PWB001-ADN-v001.0710	Myten Tech Co., Ltd	v2023.02.PS.0102	Type of product: Handheld terminal Function nality: Power Board Size [mm]: 37.3 x 108 mm Wireless: No RS232/RS485: No Open controller for: Arduino Touch interface: No Weight: aprox 300 gram Operating temperature: -20 - 60° C Ingress protection: N/A LED Indicator: Power, Tx, Rx, D.O, D.I Watch dog function: Yes Power supply: 9 - 24 VDC Power consumption: 2W - 4W
8	MT-PWB001-ADN-v001.0821	Myten Tech Co., Ltd	v2023.02.PS.02-1001	
9	MT-PWB001-ADN-v001.0930	Myten Tech Co., Ltd	v2023.02.PS.02-103	
10	MT-PWB001-ADN-v001.01010	Myten Tech Co., Ltd	v2023.02.PS.04-001a	
11	MT-PWB001-ADN-v001.11190	Myten Tech Co., Ltd	v2023.02.PS.04-003a	
12	MT-PWB001-ADN-v001.12210	Myten Tech Co., Ltd	v2023.02.PS.04-003-1b	



**E-commerce warehouse**



**Industrial Transportation**



**Trolley towing**



**Material Transportation**



**Factory Logistics**



**Factory Production Lines**



WWW.MYTEN-TECH.COM

## **Myten Tech Co., Ltd**

**Tel: +156-2280-9680**

**Email: [contact@myten-tech.com](mailto:contact@myten-tech.com)**

**Address: 8 Xinwang Rd, Xincheng, 518116  
Longgang, Shenzhen, China**

Copyright©2023 Myten Tech Co., Ltd All rights Reserved